

AVC **ELN41FT_2.8**

QUICK START GUIDE

4MP WATER-PROOF TURRET NETWORK CAMERA

TABLE OF CONTENTS

- Warning and Caution..... 1
- Package Content..... 2
- Overview..... 3
- Overview: Connecting Network Cable 4
- Camera Installation 5
- Network Connection..... 7

- Please read this instruction carefully before operating the unit and keep it for further reference.

- All the examples and pictures used here are for reference only.

- The contents of this manual are subject to change without notice.

Warning and Caution

- If the product does not work properly, please contact your dealer or the nearest service center. Never attempt to disassemble the camera yourself. (We shall not be responsible for any problems caused by unauthorized repair or maintenance.)

- Do not allow water or liquid intrusion into the camera.

- In the use of the product, you must be strict compliance with the electrical safety regulations of the nation and region. When the product is mounted on wall or ceiling, the device shall be firmly fixed.

- Do not use camera beyond specified voltage range.

- Do not drop the camera or subject it to physical shock.

- Avoid touching the camera lens.

- If cleaning is necessary, please use clean cloth to wipe it gently.

- Do not aim the camera at the sun or extra bright place.

- Do not place the camera in extremely hot, cold (the operating temperature shall be $-30^{\circ}\text{C}\sim 60^{\circ}\text{C}$), dusty or damp locations, and do not expose it to high electromagnetic radiation.

- To avoid heat accumulation, good ventilation is required for operating environment.

Thank you for purchasing this AVYCON IP Network Camera. This guide provides basic instructions on installing and accessing this IP Network Camera. For more details, please refer to the User Manual.

Package Contents

AVC-ELN41FT_2.8



Camera



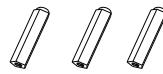
Quick Start Guide



CD



Tapping screws x3



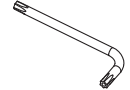
Plastic plug x 3



Drill template



Rubber plug



Screwdriver

	ITEMS	QUANTITY	DESCRIPTION
DEFAULT	Avycon Network Camera	1 Pc	The purchased model
	Quick Start Guide	1 Pc	Printed material
	CD	1 Pc	Printed material
	Tapping Screws	3 Pc	Materials
	Plastic Plug	3Pc	Material
	Drill Template	1 Pc	Material
	Rubber Plug	1 Pc	Material
	Screwdriver	1 Pc	Material

Caution

- * Do not expose the product to rain moisture
- * Make sure the device is firmly fixed when mounting it on the wall or ceiling
- * Make sure that the power supply voltage is correct before using the camera
- * Do not use a 3rd party Power Adapter
- * Never attempt to disassemble or modify the camera

System Requirements

OPERATING SYSTEM: Windows XP / Vista / 7 / 8 / 10 / 11 / Server 2000 / Server 2008

CPU: 1.66 Ghz or Higher

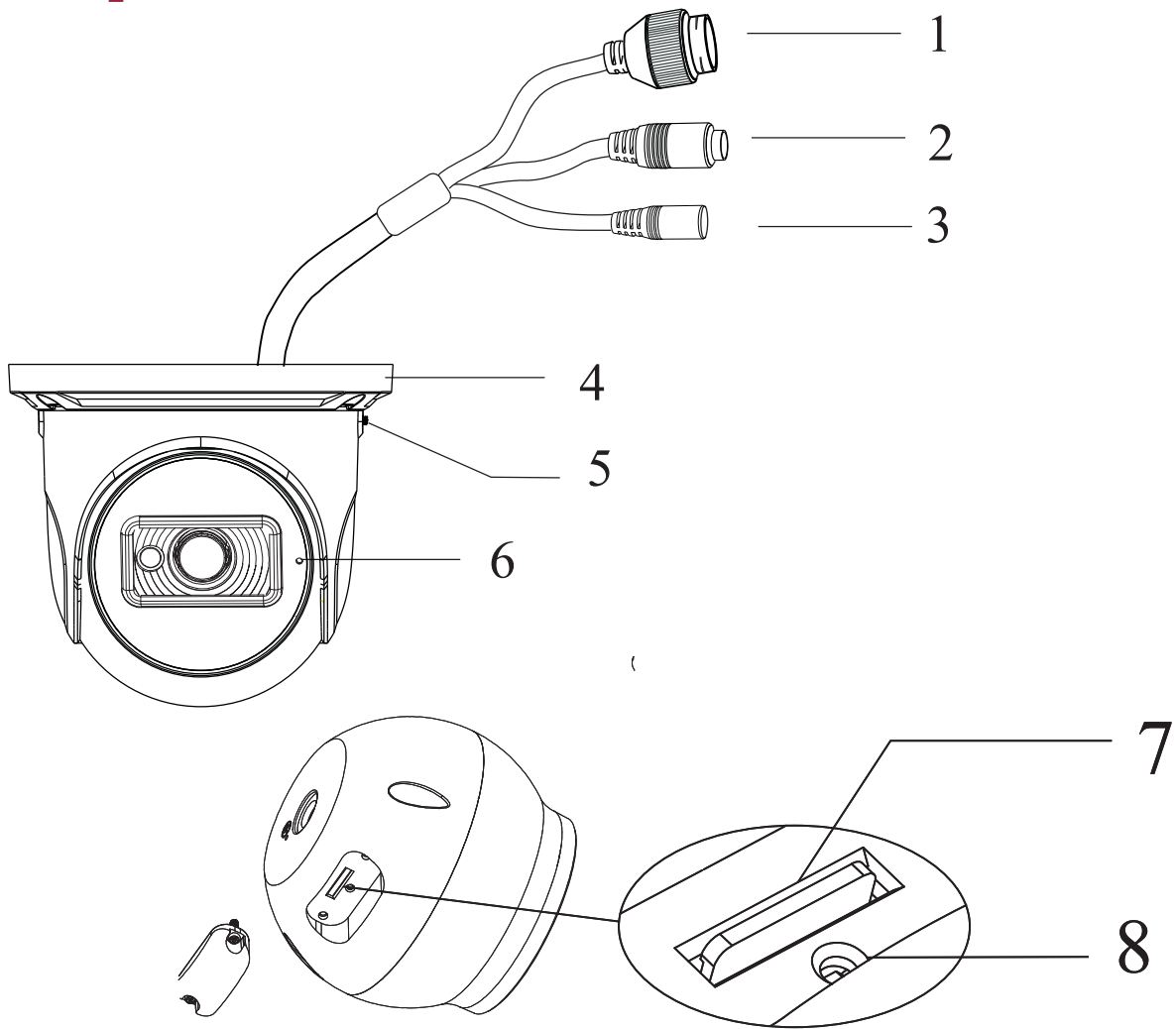
RAM: 1G or Higher

Graphic Memory: 128MB or more

Internet Protocol: TCP / IP (IPv4 / IPv6)

Overview

AVC-ELN41FT_2.8



1 Ethernet connector

2 Audio input connector

3 Power connector

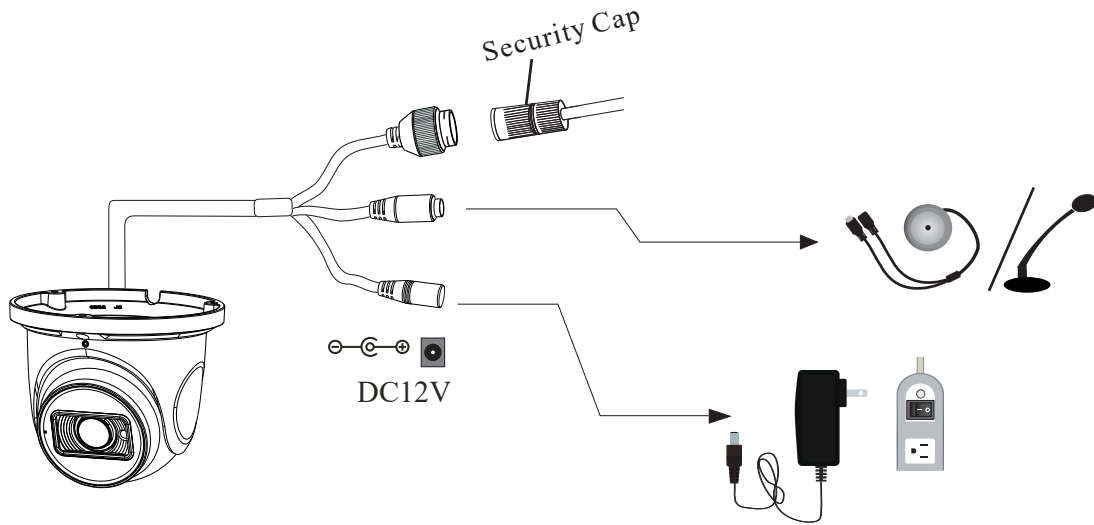
4 Mounting base

5 Fixed screw

6 Microphone

7 Micro SD card slot

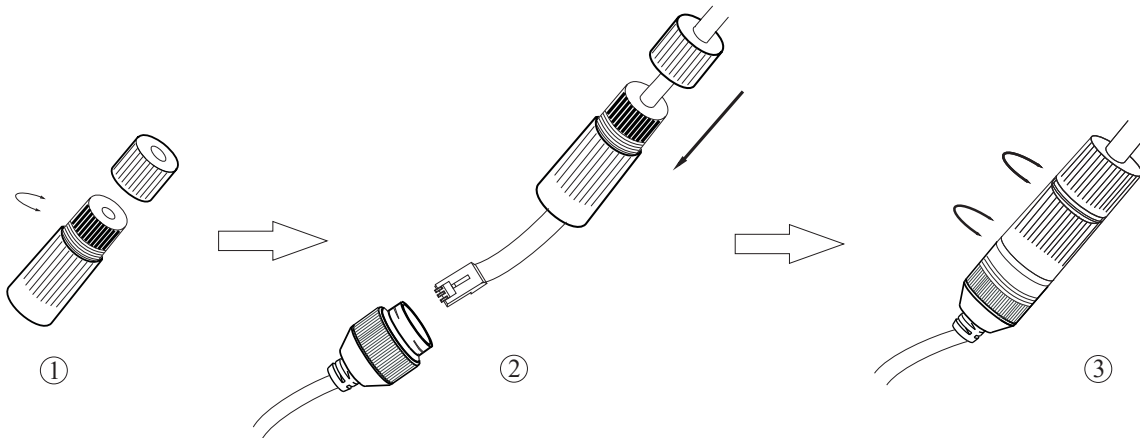
8 Reset



- * 1, It is recommended to install the security cap for outdoor installation.
- * 2, If the PoE switch is used to power the camera that supports PoE power supply, DC12V power supply is not required.

Overview - Connecting Network Cable

AVC-ELN41FT_2.8



Step 1: Loosen the nut from the main element.

Step 2: Run the network cable (without RJ 45 connector) through the both elements. Then crimp the cable with RJ 45 connector.

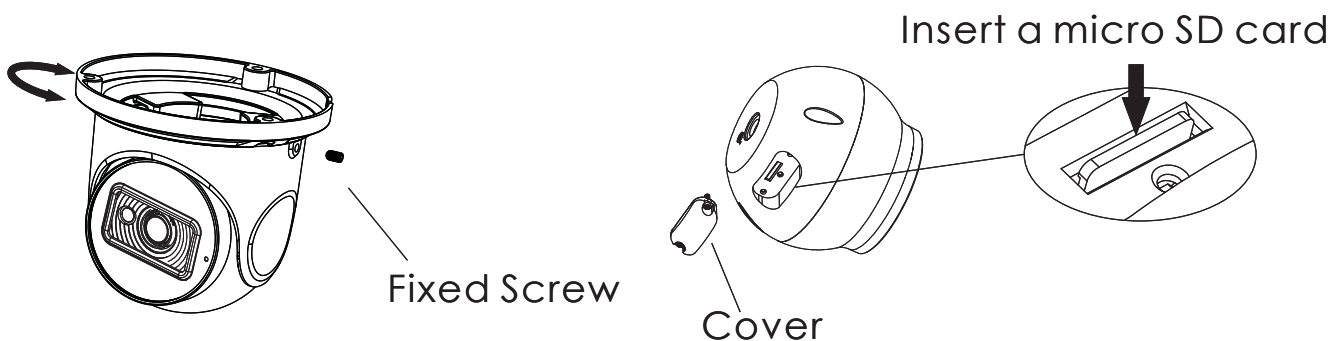
Step 3: Connect the cable to the hermetic connector. Then tighten the nut and the main cover.

Camera Installation

AVC-ELN41FT_2.8

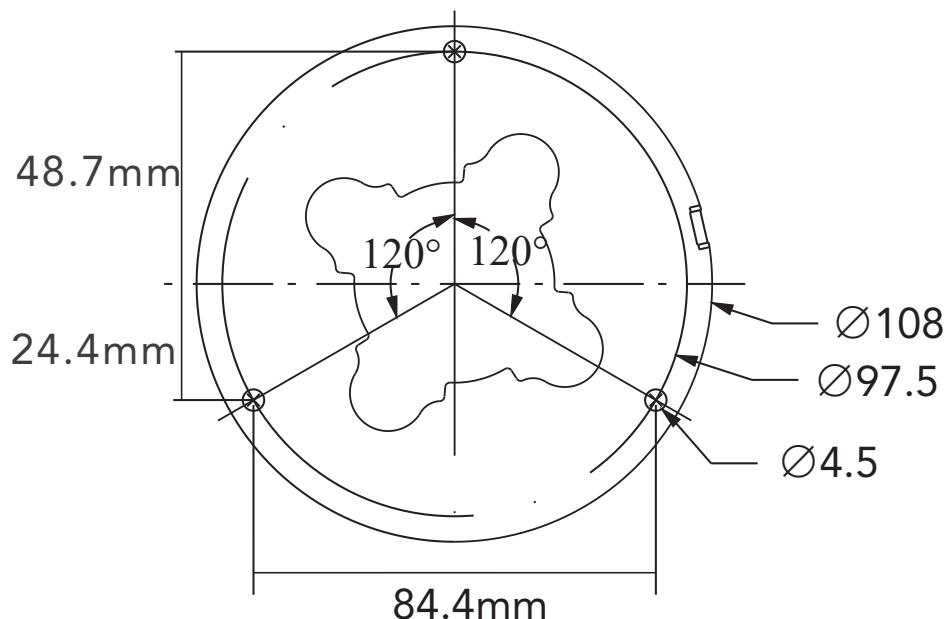
Please make sure that the wall or ceiling is strong enough to withstand 3 times the weight of the camera. Please install the camera under dry environment.

Step 1: Loosen the fixed screw to disassemble the camera. Then remove the cover of the dome and then insert a micro SD card. After that, install the cover back. . After that, install the cover back to the dome and fix it firmly with the screws.(please install the cover back in the same way you disassemble, in case the sealing performance is affected.)

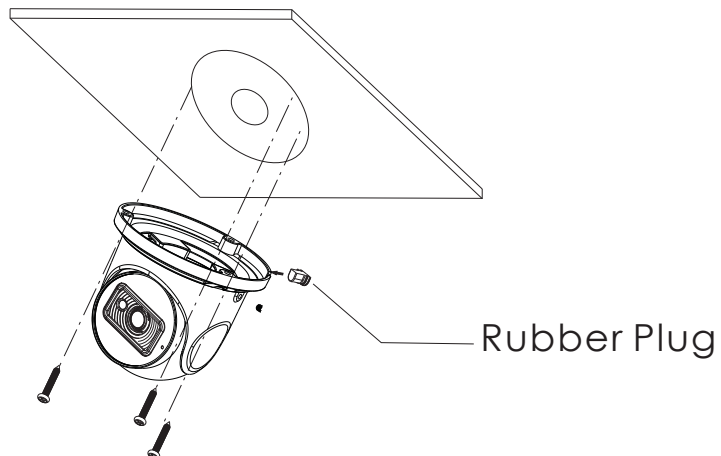


Then install back the dome to the camera with the fixed screws.

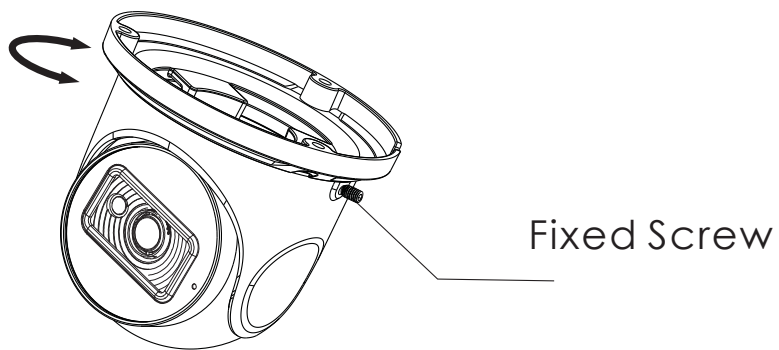
Step 2: Attach the drill template to the place where you want to fix the camera. Then drill the screw holes and the cable hole in the wall according to the drill template.



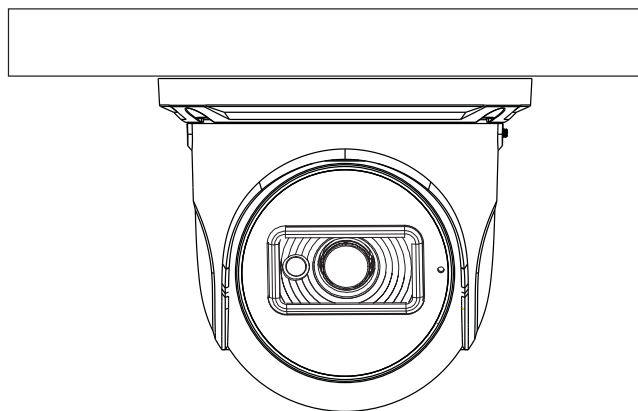
Step 3: Route and connect the cables and then secure the camera to the ceiling or wall with the screws.



Step 4: Adjust the camera to obtain an optimum angle by loosening the fixed screws. Before adjustment, preview the image of the camera on a monitor.



Step 5: Tighten the fixed screws after you finish adjusting the view angle of the camera.

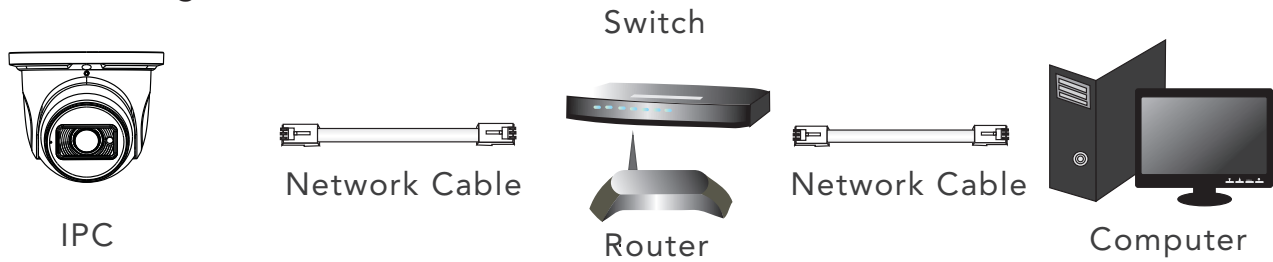


Network Connection

AVC-ELN41FT_2.8

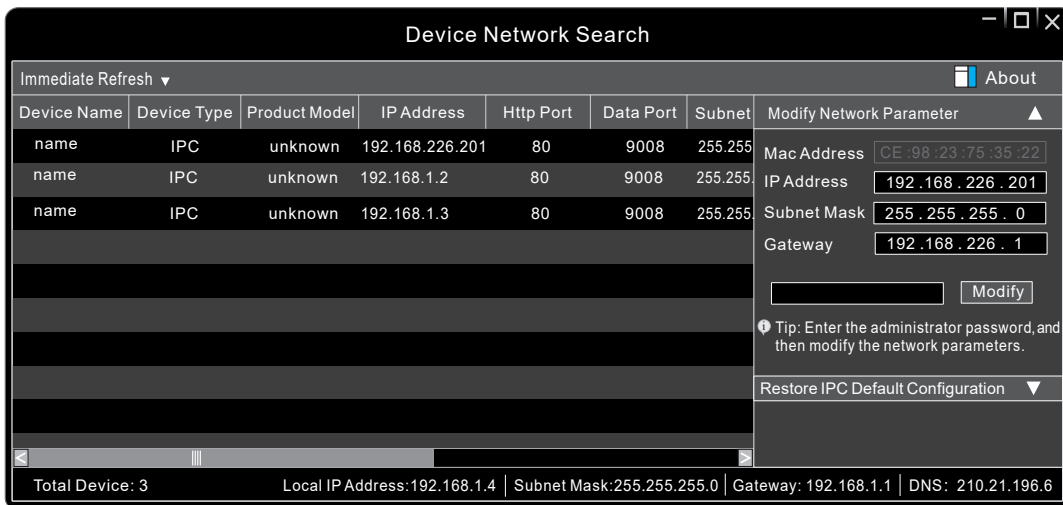
Here we take accessing IP camera via LAN for example.

Access through IP-Tool



Step 1: Make sure that the camera and the PC are well connected to the local network.

Step 2: Install IP-Tool from the CD and run it after installation.



Step 3: Double click the camera information listed in the IP-Tool to open the web browser. Or manually enter the default IP address in the address bar of your browser.

The default IP address of this camera is **192.168.226.201**. Then follow directions to download and install the plugin if prompted.

Step 4: Activate and log in the camera. The default username is **admin**; the default password is **123456** or you need to self-define the password. Please operate according to the actual situation.

AVYCON[®]



AVYCON[®]

Copyright © AVYCON. All rights reserved. Specifications and pricing are subject to change without notice.

phone: 949-752-7606
email: info@avycon.com
social: [@avycon_aivo](https://www.instagram.com/avycon_aivo)
website: avycon.com